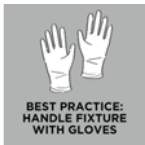
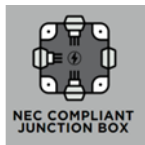
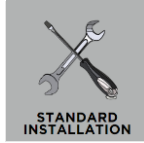


# STONE STREET ONE & TWO LIGHT PENDANTS

6514401; 6514402

## General Product Information



## Suggested/Required Tools



## Safety Information

### CAUTION-RISK OF FIRE

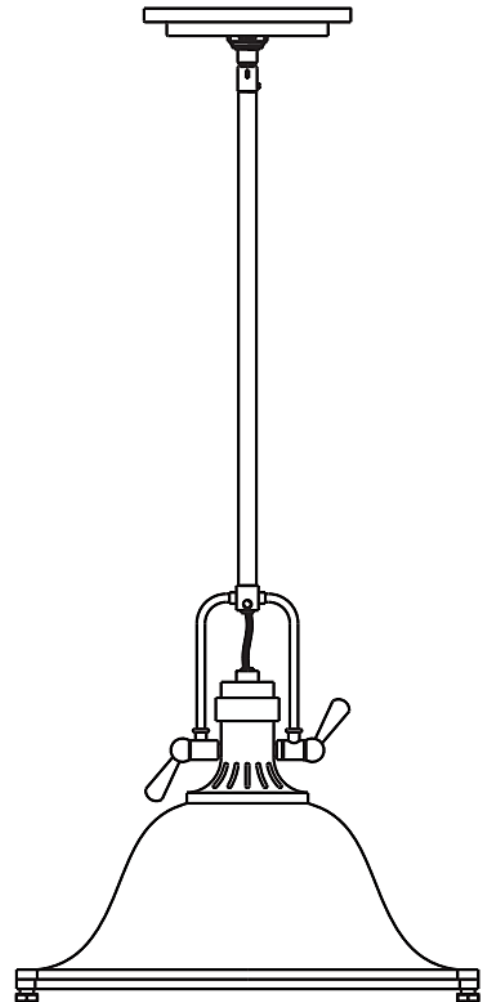
This product must be installed in accordance with the applicable installation code by a person familiar with the construction and operation of the product and the hazards involved.

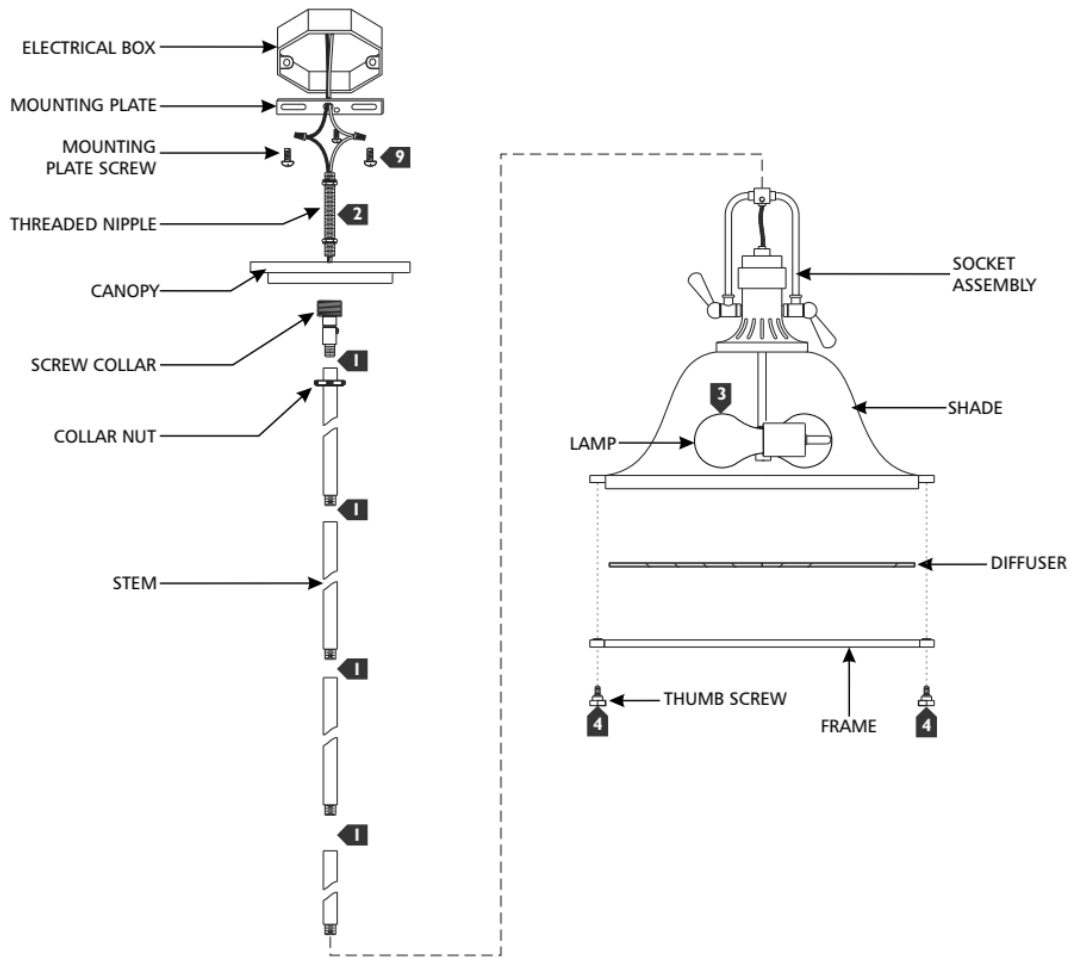
**USE MINIMUM 90°C SUPPLY CONDUCTORS.**



Turn off electrical current at the source before working with any lighting fixture or portable lamp.

Install and use this product in adherence with local electrical codes and regulations.





## INSTRUCTIONS

### I. Preparing the Fixture

1. Determine the desired height or look of the fixture with the provided stems and/or chain and assemble them by screwing them together. All the parts may be used alone or in combination.
2. If necessary, screw the shorter end of the threaded nipple tightly onto the mounting plate.
3. Screw the lamps into the sockets. Refer to the socket label for max wattage information.
4. Place the diffuser into the frame and secure it to the shade using the thumb screws.
5. Feed the fixture wires through the stems/chain and screw the stem assembly to the socket assembly.
6. Unscrew the collar nut from the screw collar and place it onto the stem/chain followed by the canopy.
7. Feed the fixture wires through the threaded nipple and screw the mounting plate assembly onto the stem/chain assembly.
8. Align the mounting plate to the electrical box and secure the fixture tightly with two mounting plate screws.

### II. Wiring the Fixture

1. Safety first! Locate the circuit breaker and switch it off to cut off the power supply to the relevant circuits to ensure there's no electricity running through the wiring.
2. In accordance with local electrical codes, connect the fixture ground wire (bare copper or silver wire) to suitable ground. This may be a green ground screw on the mounting plate, which the ground wire should be tightly wrapped around or a house wire (green or bare copper wire without insulation).
3. Twist the bare ends of the following pairs of wires together using a wire nut to secure a connection:
  - a) Hot fixture wire (black/smooth) to hot power line wire
  - b) Neutral fixture wire (white/textured) to neutral power line wire
4. Carefully tuck all the wires into the junction box.

### III. Installing the Fixture

1. Place the canopy onto the ceiling and secure it in place by screwing the collar nut tightly onto the screw collar.